

Ozone Systems

Installation & Operation Manual

M1500 • P2000

Corona Discharge Ozone Generators



ClearWater Tech, LLC.

Integrated Ozone Systems

850-E Capitolio Way, San Luis Obispo, Ca 93401 • 805-549-9724 • Fax: 805-549-0306 • E-mail: service@cwtozone.com • www.cwtozone.com

Copyright © 2011 - ClearWater Tech, LLC • Reproduction of any kind is prohibited • LIT520 • Rev 100311

O₃

INTRODUCTION

This Installation and Operation Manual is written to assist in the installation, operation and maintenance of ozone delivery systems manufactured by ClearWater Tech, LLC. This equipment has been designed using the most modern materials and technology available.

Please read this manual carefully and in its entirety before proceeding with any installation, operation or maintenance procedure associated with this equipment. Failure to follow these instructions could result in personal injury, damage to the equipment or reduced product performance.

In an ongoing effort to improve reliability and operating efficiency, ClearWater Tech may find it necessary to make changes to its products. Therefore, the information contained in this manual may not conform in every respect to earlier versions of ClearWater Tech ozone system found in the field. If you have any questions, please contact your ClearWater Tech dealer or the ClearWater Tech service department.

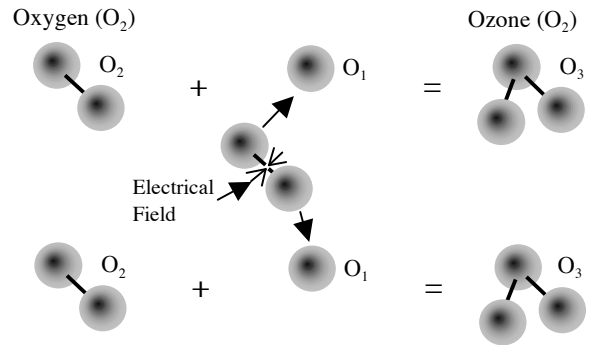
TABLE OF CONTENTS

Overview	3
Safety Information	4
Theory of Operation/Product Description	6
<i>Figure 1 – Complete Ozone System</i>	6
Installation Procedures – Getting Started	8
Installation Procedures – Plumbing	9
<i>Figure 2 – Sidestream Plumbing Installation Diagram</i>	11
<i>Figure 3 – Full Flow Plumbing Installation Diagram</i>	11
<i>Figure 4 – Contact Column Installation Diagram</i>	12
<i>Figure 5 – Contact Column Exploded View</i>	12
Installation Procedures – Electrical	13
Installation Procedures – Pneumatic	14
<i>Figure 6 – Typical Pneumatic Hookup</i>	14
<i>Figure 7 – Typical Oxygen Concentrator Detail</i>	15
<i>Figure 8 – Vacuum Break Detail</i>	16
Start-Up and Calibration	17
<i>Figure 9 – Pneumatic Operation Parameters</i>	19
Maintenance	20
<i>Figure 10 – M1500 and P2000 Drive Module</i>	22
<i>Figure 11 – Ozone Generator Cooling Fan Assembly</i>	22
<i>Figure 12 – 2” Reaction Chamber – Exploded View</i>	25
Troubleshooting	26
Appendix A – Specifications	29
Appendix B – Parts List	32
Appendix C – Maintenance Kit	33
Appendix D – Logic Schematics	34
Appendix E – Drive Module Input Voltages	36
Appendix F – Warranty Information	37

OVERVIEW

How Ozone Is Generated

Ozone is generated by exposing oxygen molecules (O_2) in an air stream to a controlled, high energy electrical field. As the air stream passes through the electrical field produced inside the ozone generator, some oxygen molecules are split, forming single oxygen atoms (O_1). These oxygen atoms then recombine with other oxygen molecules in the air stream, forming ozone (O_3)



Properties of Ozone

Ozone is the most powerful oxidizer available that can be safely used in water treatment¹. It is used to treat drinking water, bottled water, swimming pool water, waste water, food and beverage processing water, and in many other applications. Ozone is effective in performing the following:

- **Disinfection** – Bacterial disinfection, inactivation of viruses and cysts.
- **Oxidation of Inorganics** – Precipitates, iron, manganese, sulfides nitrides and organically-bound heavy metals
- **Oxidation of Organics** – Including organics causing color, taste, and odor problems. Some detergents and pesticides, phenols, VOCs, turbidity control and micro-floccuity control and micro-flocculation of soluble organics.

Molecular Weight	48
Odor	Readily detectable at concentrations above 0.02 ppm in air
Color	Bluish in ozone generator cell, but ozone/air mixture exiting generator is invisible – even at high ozone concentrations.
Gas Density:	2.144 grams/liter at 32°F (Approximately 150% that of oxygen).
Solubility	Only partially soluble in water, but about 10-20 times more soluble than oxygen (at 68°F).

Benefits of Ozone Use



- Ozone is generated on site – no transportation or storage is required.
- The most powerful oxidizer commercially available – very effective for disinfection and oxidation without handling problems.
- Ozone creates no potentially harmful by-products (such as THMs) – the only by-product is oxygen.
- Ozone leaves no telltale taste or odor.

¹ Water Quality Association, "Ozone for POU, POE and Small Water System Water Treatment Applications," Lisle, IL, 1999

Safety Information

Safety Warnings

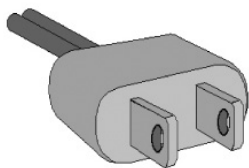
Two aspects of ClearWater Tech ozone generators represent potential dangers – ozone gas and high voltage electricity.

OZONE GAS – WARNING: HIGH CONCENTRATIONS OF OZONE GAS ARE DANGEROUS TO HUMANS. LOW CONCENTRATIONS CAN CAUSE IRRITATION TO THE EYES, THROAT AND RESPIRATORY SYSTEM.

This ClearWater Tech corona discharge ozone generator is designed to produce highly concentrated ozone. While safety precautions have been taken, entering the equipment area should be avoided if ozone gas is detected. Ozone has a very distinctive odor and is detectable at very low concentrations (0.02 ppm), which is far below OSHA's maximum permissible exposure level of 0.1 ppm.



HIGH VOLTAGE – WARNING: CLEARWATER TECH OZONE GENERATORS OPERATE AT HIGH VOLTAGE. DO NOT TAMPER WITH OR DELIBERATELY BYPASS THE COVER OR SAFETY SWITCHES BUILT INTO THE OZONE GENERATOR UNLESS INSTRUCTED TO DO SO BY THIS MANUAL. IF CONTACT IS MADE WITH OPERATING HIGH VOLTAGE COMPONENTS, ELECTRIC SHOCK WILL OCCUR.



ClearWater Tech corona discharge ozone generators take line voltage and convert it to 48 VDC. A high voltage transformer then boosts the voltage. Proper care must be used by a qualified electrician when making any internal adjustments or performing any maintenance procedures.

IMPORTANT SAFETY INSTRUCTIONS

When installing and using this electrical equipment, basic safety precautions should always be followed, including the following:

- 1. READ AND FOLLOW ALL INSTRUCTIONS.**
- 2. SAVE THESE INSTRUCTIONS.**
3. All electrical connections should be made by a licensed, qualified electrician.
4. Before attempting any electrical connections, be sure all power is off at the main circuit breaker.
5. Install all electrical equipment at least five feet from any open body of water using non-metallic plumbing.
6. Install check valves and a vacuum break to prevent water from contacting the electrical equipment.
7. The electrical supply for this product must include a suitably rated switch or circuit breaker to open all ungrounded supply conductors to comply with Section 422-20 of the National Electrical Code, ANSI/NFPA 70-1987. The disconnecting means must be readily accessible to the operator(s) but installed at least five feet from any open body of water.
8. Be sure to bond (ground) the system using the copper-bonding lug on the bottom of the ozone generator. The system should be bonded with solid copper wire conforming to all local, state and national electrical codes.
9. The system should be sized appropriately for its intended use by a qualified professional familiar with the application. This equipment must be validated by the manufacturer for its intended use; failure to do so may void the warranty.

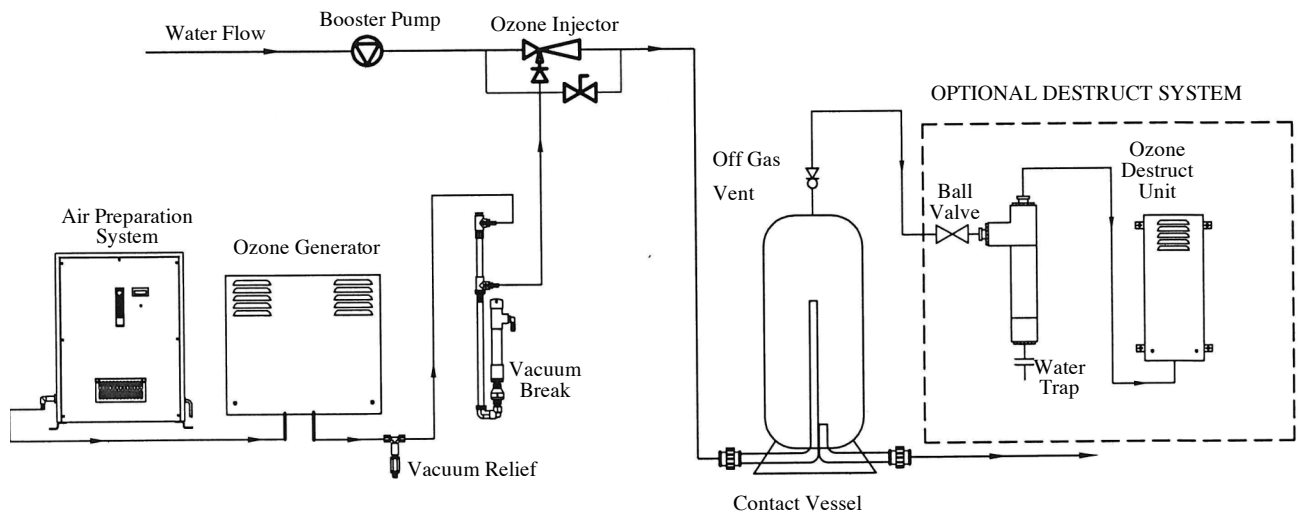
Theory of Operation/Product Description

ClearWater Tech ozone systems are designed for safe, effective use in a variety of water treatment applications. The M1500 and P2000 ozone generators may be part of a larger integrated ozone system. Such a system may include the following components required for reliable, efficient ozone production and can be divided into four general segments:

Complete Ozone System

Figure 1

Air preparation system Ozone generator Ozone injection/contacting Ozone destruct



SHOWN: CLEARWATER TECH P2000 OZONE SYSTEM

Air Preparation System

ClearWater Tech ozone generators require a source of clean, dry, oil-free, oxygen-enriched air for effective ozone production. To meet that need, ClearWater Tech employs pressure swing adsorption (PSA) technology with an oil-less compressor to increase the concentration of oxygen and reduce the moisture content in the feed gas (the air supplied to the ozone generator). This substantially improves the output capability of the ozone generator and prevents premature failure of key internal components. These air preparation systems deliver 90%+/-3% oxygen purity at -60°F dew point and at very low pneumatic pressures, minimizing noise and reducing compressor wear.

If “Plant Air” feed gas is to be used in place of the ClearWater Tech air preparation system, the same air quality standards must be met to achieve the ozone output and longevity of the ozone generator. In addition to oil and water coalescent filters, a pounds per square inch (PSI) regulator must be installed when using plant air feed gas. This regulator must be set to a maximum of 10 PSI.

Ozone Generator

ClearWater Tech ozone generators are designed to supply high concentrations of ozone gas. The oxygen feed gas produced by the air preparation system is supplied to the ozone generator. The vacuum created at the ozone injector draws the ozone gas created by the ozone generator into the water line.

As the feed gas enters the fused, thermally protected reaction chambers inside the ozone generator, some of the oxygen molecules are split while passing through the high voltage electrical field (the “corona”), forming single

oxygen atoms (O_1). These oxygen atoms then recombine with other oxygen molecules in the air stream, forming ozone. The modular, multiple reaction chamber design in the P2000 allows the ozone generator to keep working even if one of the chambers requires service.

Depending on the application, the ClearWater Tech ozone generator may be interlocked with an ORP controller, PPM controller, pressure switch, timer or circulation pump. Other safety features are also built in, including thermal protection.

Ozone Injection/Contacting

The ozone injector serves two purposes: One, it creates the vacuum required to safely draw the ozone gas from the ozone generator and two, it provides a means by which the ozone gas can become dissolved in water. A very dynamic injection process is required to effectively dissolve ozone in water.

ClearWater Tech injection systems use only Mazzei® injectors for maximum mass transfer efficiency. The injector produces a cavitation effect, enabling the ozone gas to join the water stream in the form of extremely tiny bubbles. Lots of tiny bubbles increase the surface area of the ozone thus increases the amount of area available to ozonate the surrounding water.

Depending on the application and the water treatment goals, a ClearWater Tech contacting system may also be required. Some oxidation reactions take place so quickly that they are limited only by the rate at which the ozone is dissolved in the water. Other reactions, such as disinfection, may require that proper ozone residual be maintained for a specific amount of time. A correctly-sized contact vessel is used for this purpose.

Ozone Destruct

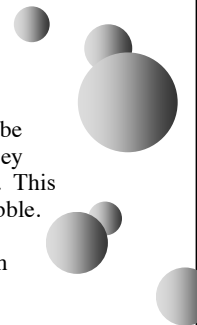
The ClearWater Tech off-gas destruct system consists of two components: the ozone destruct unit (a heated chamber filled with manganese dioxide and copper oxide) and a water trap. Used in conjunction with a ClearWater Tech off-gas vent, the ozone destruct system is an effective way to vent the contact vessel(s) when it is impractical to send the off-gas to atmosphere or reintroduce it to the water.

A Short Course in Fine Bubbles

Lesson 1 – The large bubble (20mm) has a volume of 4.19 cm³ and a surface area of 12.6 cm².

Lesson 2 – 296 small bubbles (3mm) could be made from the large bubble in lesson 1. They would have a total surface area of 83.6cm². This is 6.6 times the surface area of the large bubble.

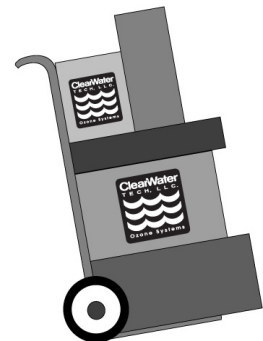
Lesson 3 – Theoretically, 6.6 times as much water could be ozonated with the same amount of ozone!



Installation Procedures – Getting Started

Unpacking

Compare the ozone system equipment received to the packing list provided. Before beginning any installation procedures, thoroughly inspect all components for damage. If damage is noticed, promptly notify the freight carrier and request an on-site inspection. Inspect all packing materials for small parts before discarding. Inspect all plumbing, fittings and tubing for packing material that may have become lodged in openings.



Equipment Placement

When placing the ozone system components in the equipment room, make sure to consider safety, maintenance requirements, local building and fire codes, etc. The components should be easily accessible by the operators, including equipment access doors and electrical hook-up boxes. All meters, gauges, indicator lights, and switches should be visible and accessible. Dimensional drawings of each air preparation system and ozone generator are included in Section A of the Appendix.

The air preparation system and ozone generator should be located as close as possible to the point of ozone injection. Ozone is an unstable gas and will begin reverting back to oxygen very quickly. To determine the most favorable ozone injection point, the following items should be considered:

- Located *downstream* of all other existing water system components.
- Located *upstream* of the residual sanitizer injection point (if so equipped).
- In a Sidestream plumbing configuration (see Figure 2) with recirculation, the pH adjustment chemical injection point must be located *downstream* of the residual sanitizer injection point (if so equipped).
- In a Full Flow plumbing configuration (see Figure 3) without recirculation, locate *downstream* of the pH adjustment chemical injection point.
- Adequate protection from weather, dust and excessive heat.

Like any electronic component, performance and longevity is enhanced by favorable operating conditions. Also, since each air preparation system and ozone generator is air-cooled, a relatively dust-free, well-ventilated area is required. No caustic chemicals should be stored in the area surrounding the equipment. A minimum clearance of six inches from the vents on either side of the ozone generator is required.

The equipment is heavy and requires proper support. Therefore, a clean, dry, level surface should be provided for the air preparation system and ozone generator. These components should be securely fastened to the surface using the mounting holes, tabs, and/or mounting bar provided. Make sure suitable wall anchors are used to support the weight of the system.

The air preparation system and ozone generator are *not* designed to withstand outdoor elements, including direct contact with water and/or temperature extremes. Therefore, the equipment must be installed in an environment consistent with the following operating parameters:

- Ambient temperature range: 20°F (-6.5°C) to 95°F (35°C) continuous. If the temperature around the equipment consistently exceeds 95°F (35°C), additional air-cooling must be provided.
- Humidity: 0 – 90% relative humidity, non-condensing environment
- Line voltage: +/-10% of rated input

Note: Equipment installed in extreme environmental conditions will void manufacturer's warranty.

- Allow room for the peripheral equipment (booster pump, injector manifold, contact vessel, etc.).

Installation Procedures – Plumbing



The ozone system should be plumbed using either a sidestream or full flow configuration. The sidestream loop method takes a *portion* of the water from the main flow (see Figure 2) and diverts it into a sidestream *downstream* of the filter (if so equipped). Ozone is introduced into the sidestream water and is allowed contact time with the water before it is returned to the main flow at a point downstream of all other equipment (heaters, solar panels, etc., if so equipped) in the circulation system. A booster pump is usually employed to compensate for the flow restriction caused by the sidestream loop and the injector manifold. If a halogen-type residual sanitizer is utilized, its injection point should be as far downstream as possible from the point at which the sidestream water returns to the main flow. In a full flow configuration, the same system components are usually involved and appear in the same order with respect to the direction of flow. However, *all* the water in the main flow is allowed contact time with the ozone (see Figure 3). A booster pump may be necessary to maintain proper flow requirements. If employed, the booster pump is located *upstream* of the point at which the ozone injector manifold is installed.

NOTES:

- Adequate use of unions and isolation valves is strongly recommended to facilitate maintenance and repairs.
- Use Schedule 80 PVC for all plumbing connections wherever possible. Plumbing size requirements are dictated by the water flow characteristics of the system.
- Make sure to use proper plumbing practices and secure all plumbing and system equipment according to local codes.
- Ozone is a powerful oxidizer and will degrade certain materials. Use ozone-compatible plumbing materials for section(s) of the system that will come in contact with ozone dissolved in water. The following is a list of materials that are compatible with ozone:
 - PVC
 - CPVC
 - Kynar
 - Teflon
 - Stainless Steel (300 series)
 - Viton
 - EPDM
 - Concrete
- Depending on the application, other components (psi gauge, flow meter, etc.) may be installed to assist in monitoring system parameters.

Step 1: Arrange the ozone system equipment (booster pump, injector and contact vessel) according to mechanical print or as dictated by equipment layout and serviceability considerations. Do not secure booster pump and contact vessel to housekeeping pads at this point. Dry fit plumbing as appropriate to insure proper fit and location before making permanent connections.

Step 2: Install a tee or plumbing saddle into the main water line after the filter (if so equipped) and before the flow diversion mechanism. The purpose of the mechanism is to restrict water flow so water is diverted into the sidestream (see Figure 2). If such a mechanism is not present in the system (such as a heater bypass valve, etc.), it will require installation of a valve (butterfly, gate or ball) or a flow controller.

Step 3: Plumb a line from the tee or plumbing saddle to the booster pump. For serviceability of the equipment in the sidestream loop, be sure to install an isolation valve between the tee or saddle and the booster pump.

Step 4: Plumb from the booster pump to the injector manifold. Make sure to note the correct direction of flow, indicated by a blue arrow on the inlet side of the manifold body. The check valve assembly is strapped to the manifold using wire ties. Remove the assembly; using Teflon® tape, install it onto the top opening of the injector.

- Step 5:** Plumb from the injector manifold to the inlet side of the contact vessel. To reduce possible backpressure to the injector, minimize the number of elbows between the injector manifold and contact vessel. The contact vessel is a specified size, determined by water flow requirements. ClearWater Tech contact columns and the 30, 40, 80, and 120-gallon contact tanks have inlet *and* outlet fittings on the bottom of the vessel and are designated with arrows showing the direction of flow. **Note: The inlet and outlet arrows on the contact tanks are under the base of the tank.** The inlet on the 264, 463 and 850-gallon tanks is located at the top with the outlet at the bottom.
- Step 6:** Using a tee or plumbing saddle, plumb from the outlet of the contact vessel back into the main water line. For serviceability of the equipment in the side stream loop, be sure to install an isolation valve between the outlet fitting on the contact vessel and before returning to the main water line.
- Step 7:** Secure the booster pump and contact vessel to solid mounting surfaces using appropriate hardware and according to local codes. If installing a ClearWater Tech contact column, use a ClearWater Tech contact column mounting kit and install according to the instructions below. If installing a contact tank, secure to a solid horizontal surface using mounting flange or feet.
- Step 8:** Install the contact vessel venting system into the top of the vessel. If using the ClearWater Tech contact column, the vent kit supplied includes fittings, a control valve and Teflon® tubing. The contact tank venting system includes an air relief valve, fittings and a length of Teflon® tubing. Depending on conditions, the vented gas may be directed to an ozone destruct system, to atmosphere or to the low-pressure side of the water system. **Note: Do not direct the tubing to the suction side of any pump in the system.**

Contact Column Installation (If so equipped)

Step 1: Make sure the following hardware items are included in the contact column mounting kit:

- 'L' bracket
- Unistrut bar
- 1/2" concrete anchors
- Protective end cap
- 6" clamp assembly
- Mounting hardware

Step 2: Referring to Figure 4, mark the two holes for mounting the 'L' bracket to the wall. The bracket should be located so that the 6" clamp assembly will be approximately 12" from the top of the contact column. Drill a 1/2" hole at each of the marks, about 3 1/2" deep. Insert a concrete anchor into each hole with the threaded end facing outward. Slip the 'L' bracket over the threaded ends of the anchors, followed by a washer for each anchor. Secure the bracket to the wall by threading a nut onto each anchor and tightening.

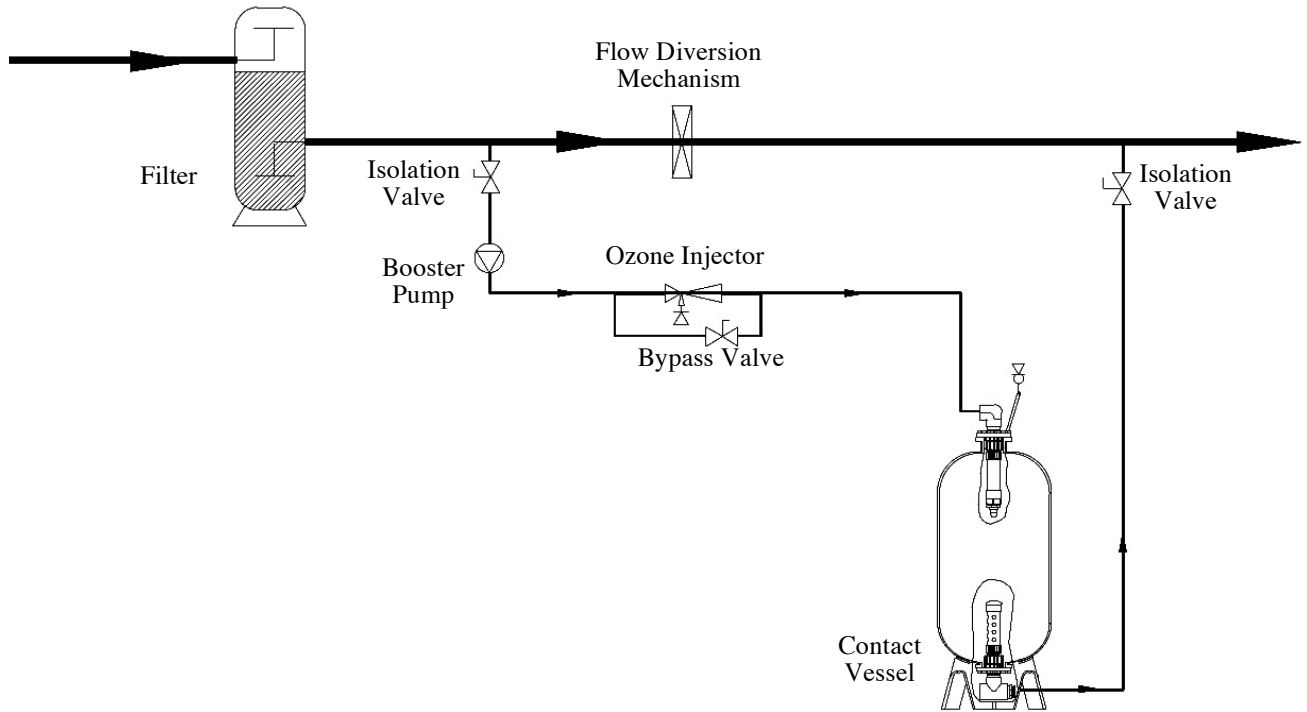
Step 3: Cut the unistrut bar to the desired length and attach it to the 'L' bracket using hardware provided.

Step 4: Slip the two sides of the 6" clamp into the unistrut bar and then around the contact column. Tighten the retaining bolt, securing the contact column to the unistrut bar.

Step 5: Slip the protective end cap over the exposed end of the unistrut bar.

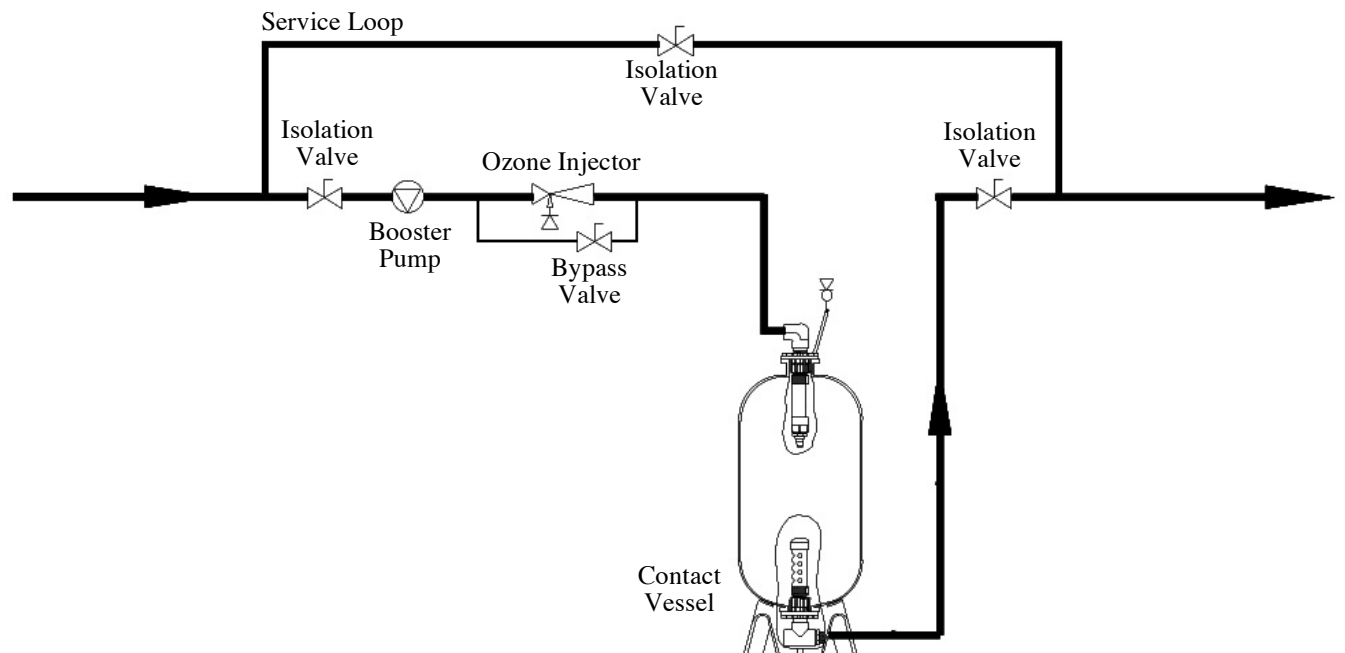
Sidestream Plumbing Installation Diagram

Figure 2



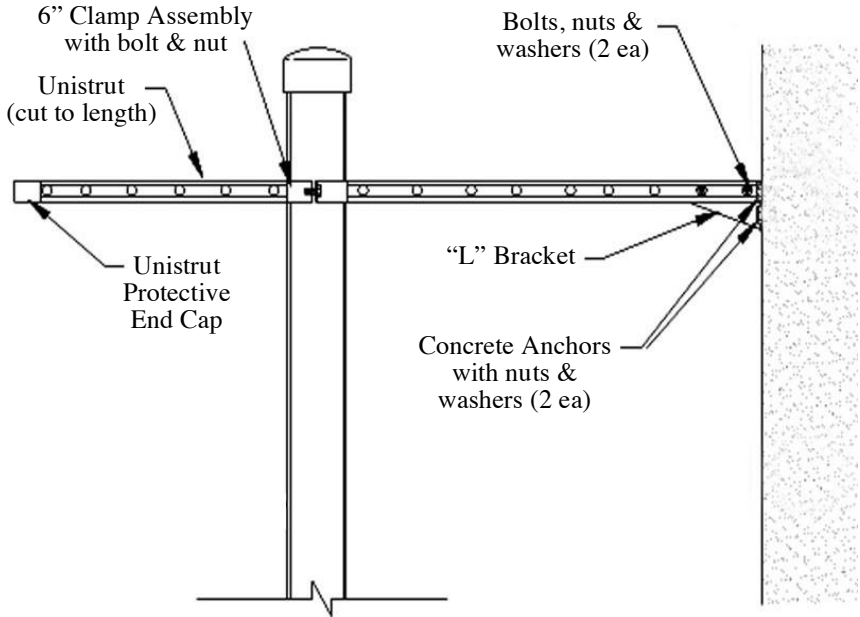
Full Flow Plumbing Installation Diagram

Figure 3



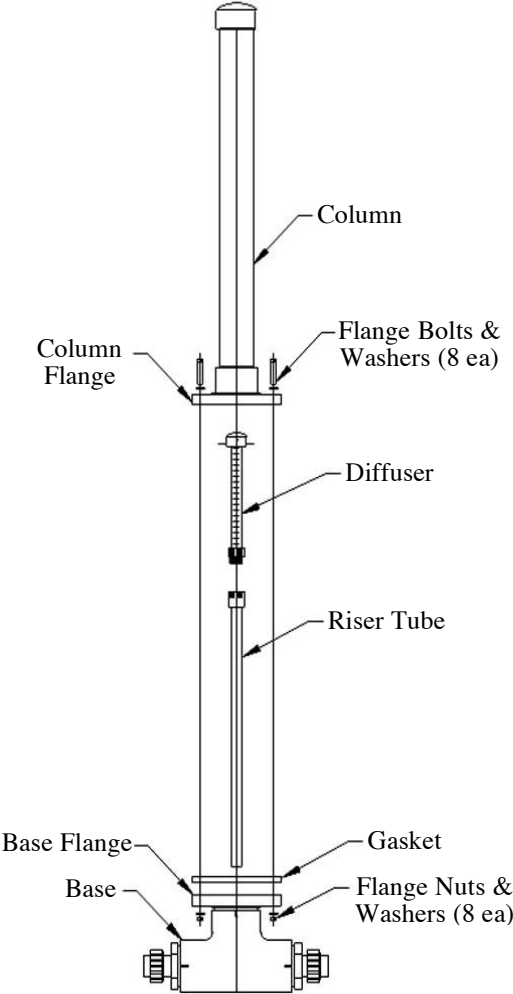
Contact Column Installation Diagram

Figure 4

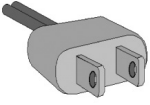


Contact Column Exploded View

Figure 5



Installation Procedures – Electrical



The M1500 and P2000 ozone generators can accept input voltage of 120VAC or 220/240VAC. **Caution: Before powering the unit the voltage selector switch must be set properly. Failing to set the selector switch correctly could result in damage to the unit.** ClearWater Tech has an assortment of IEC cords for various voltage requirements and outlet configurations, for use around the world. All possible pre-wiring has been completed at the factory. Logic schematics have been provided in the Appendix D.

Notes:

- All electrical connections should be made by a licensed, qualified electrician. All local, state and national codes must be observed.
- Make sure all power is off at the main circuit breaker before making any electrical connections

Step 1: Conforming to all local, state and national electrical codes, ground the ozone generator to a true earth ground. Use solid copper bonding wire (usually #8 AWG) from the copper-bonding lug located on the bottom of the ozone generator to the grounding point.

Step 2: Main Power: Plug the IEC end of the power cord into the power entry module located at the bottom of the ozone generator. The other end can be plugged into any main power source with input voltage of either 120VAC or 220/240VAC and 50/60Hz, single phase. **Caution: Before powering the unit the voltage selector switch must be set properly. Failing to set the selector switch correctly could result in damage to the unit.** The power consumption of the unit is shown in the chart above.

Power Consumption		
Input Voltage	120V	220-240VAC
M1500	1.6 Amps	0.8 Amps
P2000	2.8 Amps	1.4 Amps

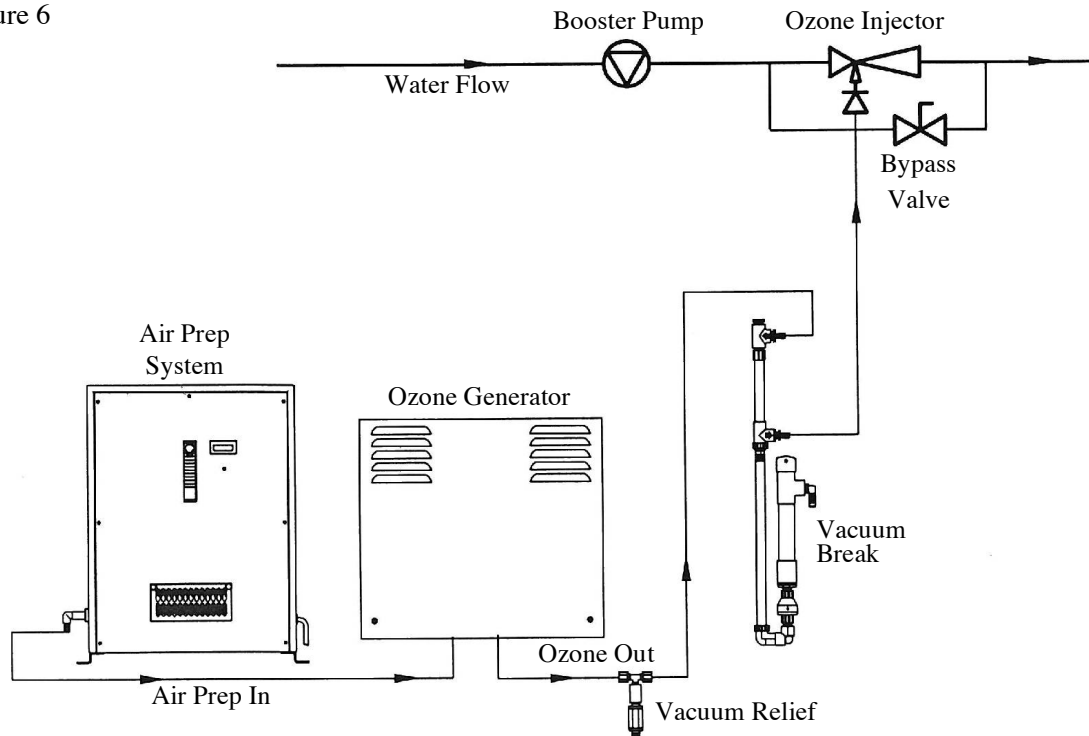
Step 3: Air Preparation System Power: 120VAC systems only: plug the power cord into main power. 240VAC systems only: the power cord must be hard wired to the main power source (Black-L1, White-L2/N and Green-Ground). **Notes: Be careful to not exceed the rated flow of the air preparation system. Doing so will over draw the system and could lead to premature failure. Vacuum from the venturi must be interrupted if the air prep system is not “ON;” failure to do so will damage the air prep system.**

Installation Procedures – Pneumatic

This section outlines the steps required to complete the ozone system pneumatic hook-ups. The system components include the air preparation system, ozone generator, vacuum relief, vacuum break, and ozone injector manifold (see Figure 6). The air preparation system provides the ozone generator with a source of dry, oil-free oxygen-enriched air (90% +/- 3% oxygen purity at -60°F dew point). The air is drawn from the ozone generator (where ozone is produced from the oxygen in the air stream) and through the vacuum break by the suction created at the ozone injector manifold.

Typical Pneumatic Hookup

Figure 6



Hook-Up: Air preparation system-to-ozone generator

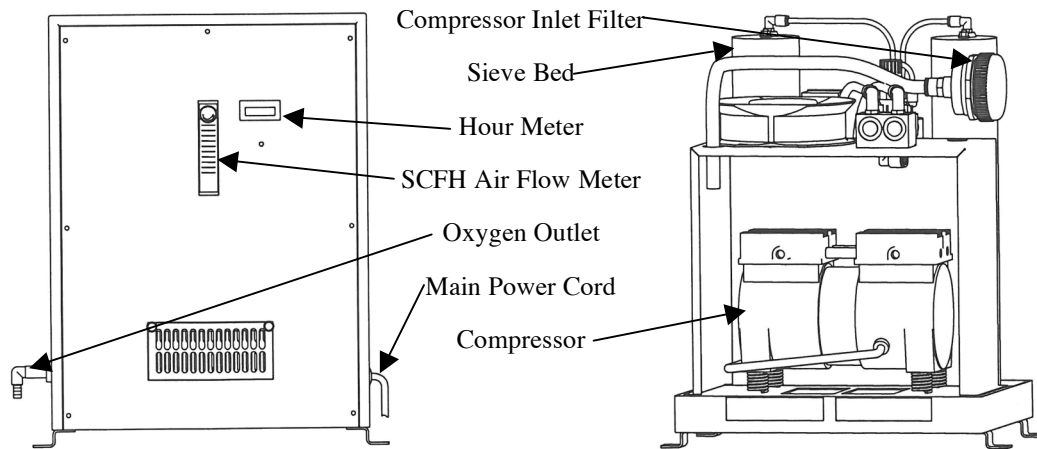
Step 1: Setup the air preparation following the instructions provided with the air preparation system. Make sure the air preparation system you select can deliver that amount of air flow required without over drawing the sieve beds. **Warning: Make sure to read and follow the operating instructions of the air preparation system as damage could occur to the air preparation system if the flow rate is too high.**

Step 2: Teflon® tape and attach brass barb provided to the PSA oxygen concentrator outlet (if so required). A typical oxygen concentrator system is shown below in Figure 7 as a reference.

Step 3: Using a suitable length of 3/8” braided tubing, attach tubing to the barb located on the oxygen concentrator, then attach the other end of the tubing to the brass barb located at the bottom of the ozone generator. Secure the tubing to the fittings with the hose clamps provided.

Typical Oxygen Concentrator Detail

Figure 7



Hook-Ups: Ozone generator-to-vacuum break & vacuum break-to-injector manifold

The ClearWater Tech vacuum relief protects the chamber from exceeding 10 inHg. If vacuum begins to exceed this value, the check valve will open providing additional flow of air into the injection line and reducing the vacuum. The ClearWater Tech vacuum break provides a positive atmospheric “break” between the ozone injector manifold and the ozone generator, preventing water from flowing back into the ozone generator should the venturi check valve fail. Under normal operating conditions, the vacuum break's flapper valve (see Figure 8) is closed, allowing the vacuum created by the venturi to draw the output gas from the ozone generator. If the check valve at the venturi begins to leak or fails completely, vacuum is interrupted and water will flow toward the ozone generator. With the vacuum break properly installed between the venturi and the ozone generator, the water will flow down the riser tube (away from the ozone generator) and out to drain, protecting the ozone generator from potential water damage.

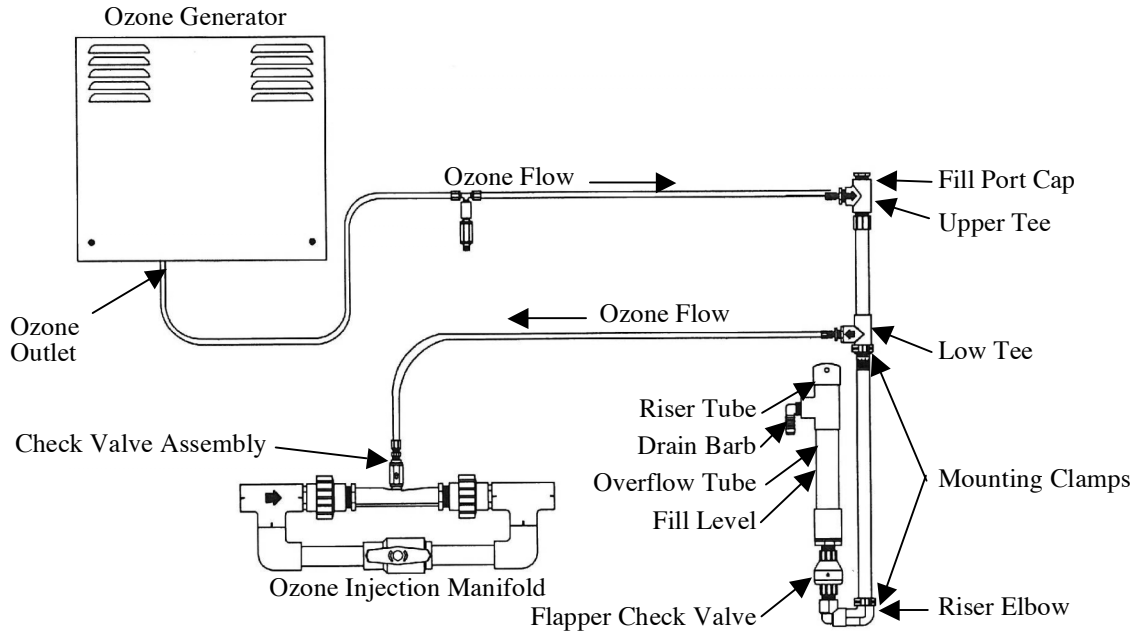
- Step 1:** Select a suitable vertical surface that is accessible and in close proximity to both the ozone generator and the ozone injector manifold.
- Step 2:** Install the two Clic® mounting clamps provided onto the vertical surface so that the vacuum break is in a vertical position and the drain holes are below the level of the ozone generators ozone outlet fitting. One clamp should be located so it fits around the Riser Tube Elbow, and the other so it fits around the bottom of the Lower Tee (see Figure 8).
- Step 3:** Remove the Fill Port Cap located on top of the Riser Tube and fill the Riser Tube with clean water (no particulate matter) until "Fill Level" line indicated in Figure 8.
- Step 4:** Re-install the Fill Port Cap, using pliers or a wrench to tighten. Note: Do not over tighten as damage to PVC fittings may occur.
- Step 6:** Connect one end of a suitable length of Teflon® ozone delivery line to the ozone generator's ozone outlet fitting (see Appendix, Section A). Attach the other end of the Teflon® delivery line to the vacuum relief .
- Step 7:** Connect one end of a suitable length of Teflon® ozone delivery line to the other side of the vacuum relief. Attach the other end of the Teflon® ozone delivery line to the upper tee of the vacuum break (see Figure 8). As an additional backflow prevention measure, loop this length of tubing as high as is practical between the two connection points.

Step 8: Connect one end of a second length of Teflon® delivery line to the fitting threaded into the Lower Tee. The other end of the delivery line will be attached to the fitting located on top of the check valve assembly.

Step 9: Adjustments to the valve on the ozone injector manifold will be necessary. These steps are covered in the Start-up and Calibration Procedures.

Vacuum Break Detail

Figure 8



Start-Up and Calibration

The previous sections of this manual have involved comparatively static procedures – making electrical and pneumatic connections, fitting pipe, etc. This section involves the dynamic process of starting up and balancing the components of the ozone system, including initiating water flow, making air and water flow adjustments, etc.

Maximum performance and reliability is achieved when the prescribed air flow is maintained at the ozone generator. Air from the air preparation system is flowing through the ozone generator under a slight vacuum (created by the ozone injector manifold).

Air Preparation System, Ozone Generator & Ozone Injector

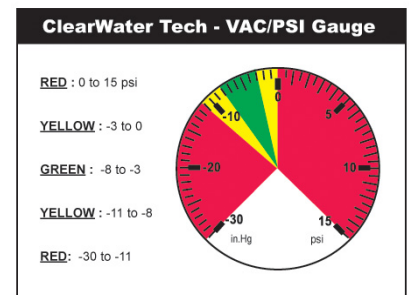
Warning: *Disconnect power from the ozone generator while performing all start-up procedures. Failure to do so may result in ozone escaping to atmosphere.*

Step 1: Make sure all isolation valves in the ozone water system are open (Figures 2 or 3 show recommended isolation valve locations).

Step 2: Start-up hydraulics. Allow the water system to reach hydraulic equilibrium (contact vessel full, off-gas vent operating, etc.) and observe for plumbing leaks. **Note: Water flow must be established through the main water pump and the ozone system booster pump (if so equipped).**

Step 3: Close the ball valve on the injector manifold about half way.

Step 4: Using your thumb, check for the presence of vacuum (suction) at the ozone injection manifold check valve assembly or use a ClearWater Tech vacuum test assembly to check vacuum at the injector port. If no suction is present, continue to close the ball valve on the injector manifold until vacuum is detected. If using the vacuum test assembly, check the VAC/PSI gauge for vacuum. If the needle is in the red zone on the pressure (PSI) side of the gauge, gradually close the ball valve on the injector manifold until the needle moves into the green zone. If the needle is in the red zone on the vacuum (in.Hg) side of the gauge, gradually open the ball valve on the injector manifold until the needle moves into the green zone. While vacuum is in the green zone you must be able to achieve proper SCFH (Standard Cubic Feet per Hour) of air flow (see the “Pneumatic Operating Parameters” chart for venturi SCFH required, Figure 9).



Step 5: Make sure electrical power is provided to the air preparation system and that the main power switch is in the “ON” position (if so equipped, see Figure 7). Setup the air preparation following the instructions provided with the air preparation system. Make sure the air preparation system you select can deliver that amount of air flow required without over drawing the sieve beds. **Warning: Make sure to read and follow the operating instructions of the air preparation system as damage could occur to the air preparation system if the flow rate is too high.**

Step 6: Connect the Teflon® ozone delivery line from the vacuum break to the ozone inlet fitting located at the ozone injection manifold check valve assembly.

Step 7: Observe the air flow through the system using the flow meter on the front of the air preparation system (See Figure 7). Using the needle valve on that flow meter make sure the flow is in a range that will not over draw the sieve beds. **Warning: Make sure to read and follow the operating instructions of the air preparation system as damage could occur to the air preparation system if the flow rate is too high.**

Step 8: Perform a final check of all air connections from the air preparation system to the ozone injector manifold. Repair leaks as required. Check all system water connections, including the ozone injector manifold, vacuum break and contact vessel. Repair leaks as required. **Note: The check valve at the ozone injector manifold may make a humming noise. This is normal.**

Step 10: Apply power to the ozone generator.

Vacuum Break

Check the water level in the vacuum break, making sure it is above the flapper valve (see Figure 8). If water is not pressing downward on the flapper valve it will open, causing a loss of vacuum. A loss of vacuum means ozone cannot flow from the vacuum break, which in turn can cause an ozone leak. **Note: If the vacuum break must be refilled with water turn the power switch on the ozone generator to the “OFF” position and disconnect the Teflon® ozone delivery line from the ozone inlet fitting of the vacuum break. Once the vacuum break is filled, reconnect the ozone delivery line first, then turn the power switch on the ozone generator to the “ON” position.**

Ozone Destruct System

Adjust the small ball valve at the tee of the water trap (see Figure 1) so that only a small amount of water is “spitting” into the trap. This will indicate that the contact vessel is full and only a very small amount of water is allowed to escape.

Pneumatic Operating Parameters

Figure 9

M1500	Operating Range	Optimum
Air prep system air flow	6 to 8 scfh	7 scfh
Ozone generator total air flow (Air prep gauge)	6.5 to 8.7 cfh	7.6 cfh
Injector manifold air flow	6 to 8 scfh	7 scfh
Injector manifold injector	-3 to -8 in. hg.	-5 inches

P2000	Operating Range	Optimum
Air prep system air flow	12 to 16 scfh	14 scfh
Ozone generator total air flow (Air prep gauge)	13.1 to 17.5 cfh	17.5 cfh
Injector manifold air flow	12 to 16 scfh	14 scfh
Injector manifold injector	-3 to -8 in. hg.	-5 inches

Maintenance



Maintenance of the ozone system is critical to its longevity and operating efficiency. While all system components are built to provide years of reliable service with minimum maintenance, following the procedures outlined below is strongly recommended.

All maintenance procedures have been segmented by interval: daily, monthly, semi-annual and annual. Daily procedures involve quick, visual checks for changes in normal operating conditions. Monthly, semi-annual and annual procedures include cleaning and/or replacement of certain critical parts.

NOTES:

- **The ozone generator warranty states that it “does not extend to any product or part which has been damaged or rendered defective as a result of use of parts not sold by ClearWater Tech, or service or unit modification not authorized by ClearWater Tech” Please contact your ClearWater Tech dealer if you have any questions about any maintenance procedure before you begin that procedure.**
- **CAUTION: Observe all common safety practices and review the “Safety Warnings and Instructions” section before attempting any maintenance procedure that requires the use of tools and/or shutting down the ozone system.**

Daily Procedures

Air Preparation System

- **Power Switch:** Check the power switch on the air preparation system (see Figure 7), if so equipped.
- **Air Flow:** Check the air flow gauge on the air preparation system (see Figure 7). Make sure the air flow is within the acceptable SCFH range for the unit. See the Pneumatic Operating Parameters in Figure 9. **Warning: Make sure to read and follow the operating instructions of the air preparation system as damage could occur to the air preparation system if the flow rate is too high.**

Ozone Generator

- **Air Flow:** Check the air flow gauge located on the front control panel. Compare the CFH flow on the flow gauge to the Pneumatic Operating Parameter in Figure 9 to insure the proper output is being achieved. **Warning: Make sure to read and follow the operating instructions of the air preparation system as damage could occur to the air preparation system if the flow rate is too high**
- **Vacuum:** Check the vacuum level in the system. Adjust if necessary by following steps outlined in the “Start-Up & Calibration” section.

Vacuum Break

- **Water Level:** Check the water level in the vacuum break. Make sure it is above the flapper valve in the overflow tube. Fill as required by removing the threaded fitting on top of the riser tube until water is up to the ‘Fill Level’ in the overflow tube (see Figure 8).

Injection Manifold

- **Check Valve:** Inspect the Teflon® ozone delivery line that runs between the vacuum break and the check valve assembly on the suction port of the ozone injector manifold. If water is observed in the delivery line near the check valve assembly, the check valve has failed. See Troubleshooting Guide.

Monthly Procedures

Air Preparation System

- **Cooling Fan Operation:** Check to make sure the cooling fan mounted on the side panel of the air preparation system is operating (if so equipped). If not, refer to the Troubleshooting Guide.
- **Cover Filter:** Check the cover filter element mounted on the side of the air preparation system and clean as required. Operating conditions in the equipment area will dictate the frequency required for this procedure. Remove the filter element and clean with soap and water, drying them completely before re-installing.

Ozone Generator

- **Drive Module Operation:** The Drive Module is made up of two components: the drive board and the drive transformer. Check for illumination of the drive module Power LED (for LED locations, see Figure 10); if not illuminated see Troubleshooting Guide. This procedure is to observe the complete operating function of the drive module(s). Remove the cover and override the safety switch. **CAUTION: Do not touch anything inside the ozone generator while the system is energized and the cover removed! Please consult your ClearWater Tech dealer before attempting this procedure.**

- **Main Power LED:** When illuminated, this “Red” LED indicates that main power is supplied to the drive module up.

Before proceeding further replace the ozone generator cover.

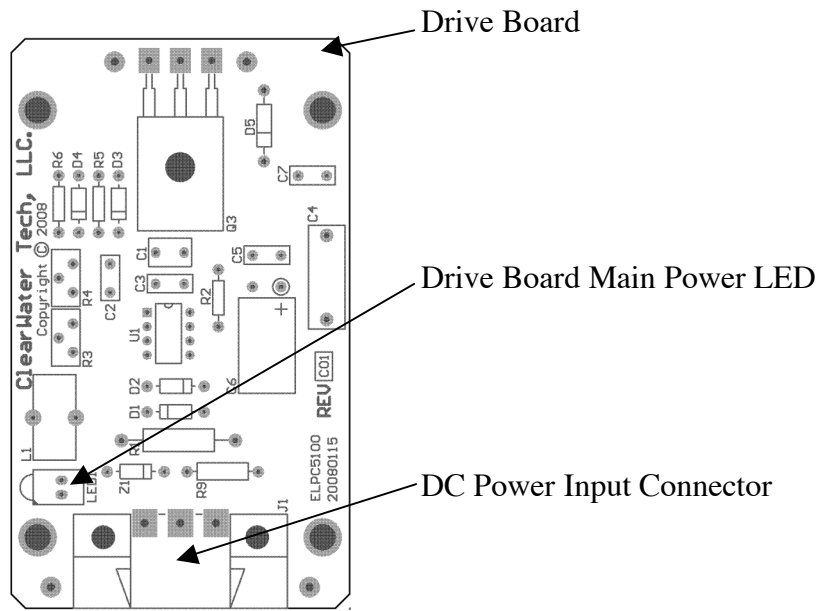
- **Cooling Fan Operation:** Check to make sure the cooling fan(s) (mounted on the bottom panel of the ozone generator cabinet) are operating. If not, refer to the Troubleshooting Guide.
- **Cooling Fan Filter:** Check the cooling fan filter element(s) mounted on the bottom of the ozone generator (see Appendix A) and clean as required. Operating conditions in the equipment area will dictate the frequency required for this procedure. Remove the filter element and clean with soap and water, drying them completely before re-installing (see Figure 11).

Booster Pump(s)

- **Strainer Baskets:** Check and clean the strainer basket in the booster pump(s) as required (if so equipped)

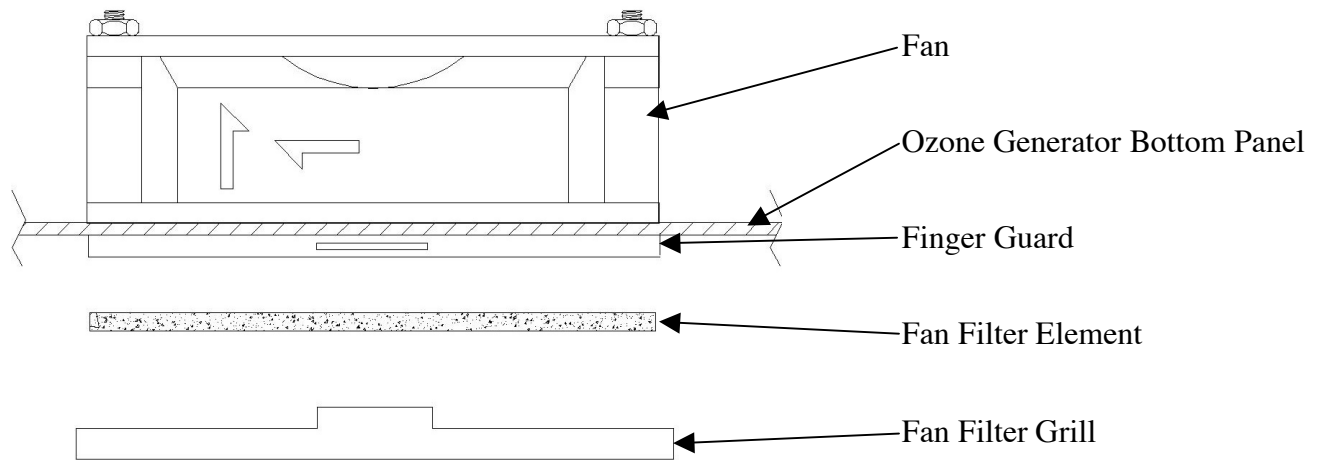
M1500 and P2000 High Output Drive Module

Figure 10



Ozone Generator Cooling Fan Assembly

Figure 11



System Shutdown Procedures

CAUTION: The ozone generator operates at high voltage. Follow these steps carefully before performing any semi-annual or annual maintenance procedures.

Step 1: Turn off power to any peripheral system hydraulic components and air prep system.

Step 2: Turn the Main Power switch on the ozone generator to the “OFF” position.

Step 3: Disconnect the power to the ozone system either at the service disconnect box (if so equipped) or main circuit breaker.

Semi-Annual Procedures

CAUTION: Follow system shutdown procedures (outlined above) before performing any of the following steps.

Air Preparation System

- Air Inlet Filter: Replace the air compressor inlet filter on the air preparation system module (see Figure 7). **Note: Manufacturers' recommended replacement interval is 4,000 hours of operation. Operating conditions in the equipment area will dictate the required frequency of this procedure.**

Annual Procedures

CAUTION: Follow system shutdown procedures before performing any of the following steps.

Air Preparation System

- Compressors: Following the procedures outlined in the compressor rebuild kit, rebuild the two compressor heads on each air preparation system module (see Figure 7). **Note: Manufacturers' recommended interval is 5,000 to 12,000 hours of operation. Compressor performance and/or operating conditions in the equipment area will dictate the required frequency of this procedure.**

Ozone Generators

- Cooling Fan Filters: Clean or replace the cooling fan filter elements as required.
- Inline Filter: Replace the inline particulate filter.
- Reaction Chambers: Remove and disassemble the reaction chamber(s) according to the steps outlined below (see Figure 12). Check the chamber interior and dielectric tube for oil, dirt or moisture.

Reaction Chamber Removal and Disassembly

Note: Disassembly and service of the reaction chamber is a technical, delicate and critical procedure. Please consult your ClearWater Tech dealer before attempting this procedure.

Step 1: Make sure all power to the ozone generator has been disconnected according to the “System Shutdown Procedures” outlined above.

Step 2: Unplug the electrical connections from the drive module.

Step 3: Disconnect tubing connections from the fittings on both ends of the reaction chamber

Step 4: Remove the 4 nuts holding the reaction chamber to the chassis.

Step 5: Remove the reaction chamber from the ozone generator.

Step 6: Disconnect the high voltage lead from the drive module.

Step 7: Remove retaining screws from the two end caps (4 each).

Step 8: Using a gentle back-and-forth twisting motion, remove the non-high voltage end cap (the one without the white power lead attached) from the heat sink/cathode assembly.

- Step 9:** Remove the high voltage end cap and dielectric from the heat sink/cathode assembly.
- Step 10:** With contact brush attached, remove the brush adapter nut from the high voltage end cap.
- Step 11:** Inspect the dielectric, end caps and cathode for breakage, corrosion or debris. Clean and/or replace parts as necessary. If cleaning and/or parts replacement is not required, re-assemble the reaction chamber per the instructions below.

Assembly and Re-installation

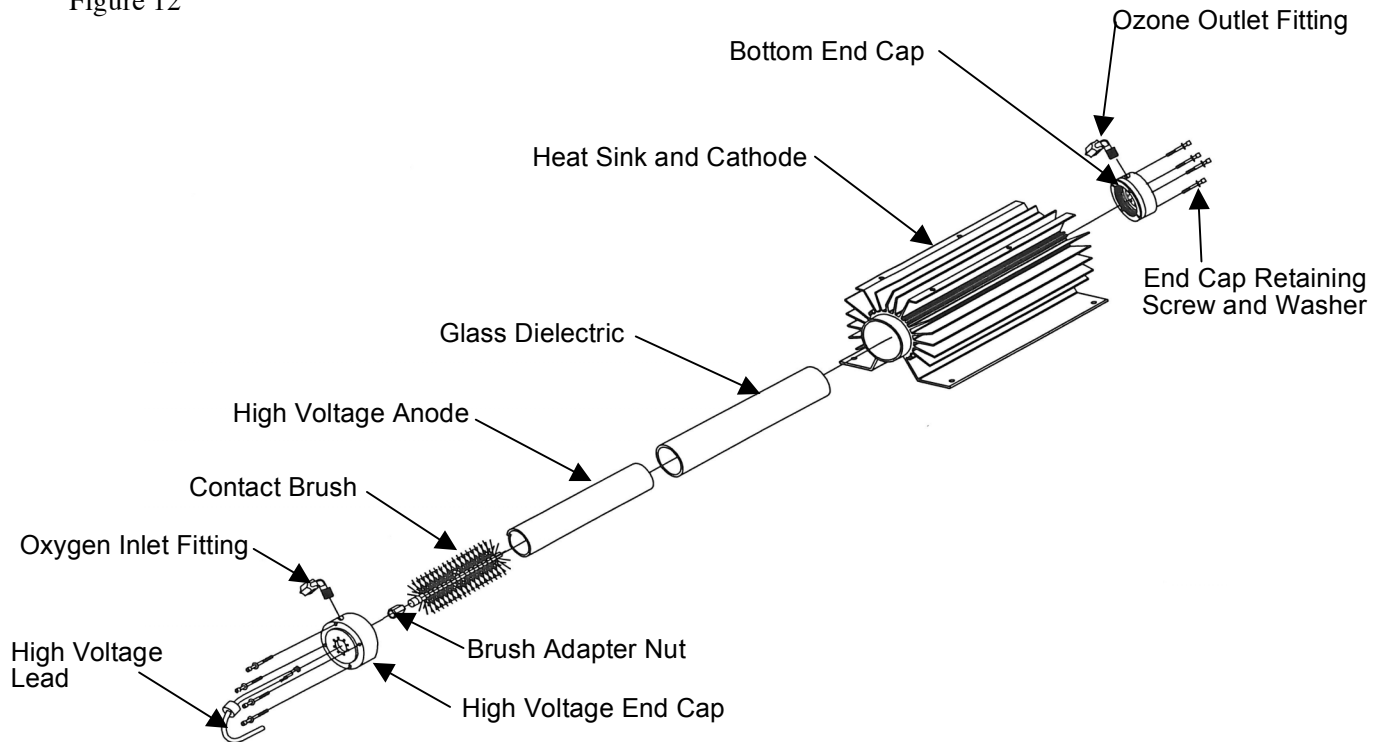
- Step 1:** Make sure the glass dielectric is clean (free of dust, dirt, grease, oils, etc.).
- Step 2:** Prepare the end caps for re-assembly by replacing the O-rings. Thread the hex brush adapter nut, with contact brush attached, onto the end of the high voltage end cap (cap with the white power lead attached) center screw.
- Step 3:** Using a gentle twisting motion, press the non-high voltage end cap onto the heat sink/cathode assembly until flush with the heat sink cooling fins. **Note:** See Figure 12 for correct orientation of end cap.
- Step 4:** Slide the four end cap retaining screws through the holes in the non-high voltage end cap, aligning them with the heat sink screw bosses. Thread screws into screw bosses until heads are snug against the end cap.
- Step 5:** Roll the high voltage anode (foil-like material) lengthwise, preserving the *longer* dimension. Insert the rolled anode into the dielectric. Center the anode in the dielectric (approximately 1/2" from either end of the glass), making sure it is rolled squarely.
- Step 6:** Slide the dielectric into the heat sink/cathode assembly. Seat the dielectric into the O-rings of the non-high voltage end cap by applying pressure with a gentle twisting motion. (There must not be any dirt, debris, oils or fingerprints on the dielectric upon re-installation).
- Step 7:** Slowly insert the high voltage end cap assembly into the dielectric. **Note:** Do not bend center wire of the brush during this procedure. It is normal for the *bristles* to bend. Using a gentle twisting motion, press the high voltage end cap onto the heat sink/cathode assembly until flush with the heat sink cooling fins.
- Step 8:** Slide the four end cap retaining screws through the holes in the end cap, aligning them with the heat sink screw bosses. Thread screws into screw bosses until heads are snug against the end cap.
- Step 9:** Re-install complete reaction chamber assembly into the ozone generator by following the "Removal and Disassembly" instructions in reverse order, from Step 6 to Step 2. Follow steps outlined in the "Start-Up and Calibration" section to re-start the ozone system.

Vacuum Relief

- Replace the Vacuum Relief as the contact with ozone will degrade the performance of the check valve over time. (see Figure 8).

2" Reaction Chamber – Exploded View

Figure 12



Vacuum Break

- **Cleaning:** Disconnect ozone delivery lines. Remove the vacuum break from mounting clamps. Disconnect the overflow tube from flapper valve, open flapper and clean the seat with a soft cloth. Remove riser tube threaded fitting and flush riser tube with water. Re-assemble and re-install vacuum break, making sure to add water to correct level (see Figure 8).

Injector Manifold

- **Check Valve:** Replace the check valve located at the ozone injection manifold. **Note:** Because the system is in the shutdown mode, no vacuum is present at the injector. Therefore, it is normal for some water to be flowing from the injector during this procedure.

Contact Vessel

- **Cleaning:** Contact Column only. Inspect the diffuser slots at the top of the contact column riser tube. If they are clear, no further maintenance is required. If the slots are fouled, disassemble the column and clean as required, following the steps outlined below (see Figure 5).

Step 1: Make sure the isolation valves before and after the contact column are closed.

Step 2: Disconnect the vent line from the top of the contact column.

Step 3: Remove the bolts in the 6" base flange.

Step 4: Remove the column, lifting it over the interior riser tube.

Step 5: Remove and clean the diffuser.

Step 6: Inspect the flange gasket and replace if necessary.

Step 7: Reassemble the contact column and attach vent lines.

Troubleshooting

Air Preparation

Problem/Symptom	Possible Cause	Solution
Unit not operating	<ul style="list-style-type: none"> No power to system Power switch in “OFF” position Incorrect wiring 	<ul style="list-style-type: none"> Check main power to system Turn switch to “ON” position See “Installation Procedures – Electrical”
Low air flow or no air flow	<ul style="list-style-type: none"> Flow meter out of adjustment Fouled compressor inlet filter Compressor not functioning 	<ul style="list-style-type: none"> Adjust flow meter, see “Start-Up and Calibration – Step 5” Replace inlet filter Rebuild or replace as required
Compressor pressure relief valve making noise	<ul style="list-style-type: none"> Pressure relief valve not operating Excessive back pressure in system Pinched tubing Compressor not functioning ATF not operating 	<ul style="list-style-type: none"> Replace pressure relief valve Check the check valve for proper operation, replace as required Replace tubing Rebuild or replace as required Repair or replace ATF as required
Unit is making excessive noises	<ul style="list-style-type: none"> Unit not properly secured to floor Shipping damage Fan Blocked Packaging material not removed 	<ul style="list-style-type: none"> Place unit on a flat level surface Locate damage and repair/replace parts Clear obstructions Remove packaging material

Ozone Generator

Problem/Symptom	Possible Cause	Solution
System is not “ON”	<ul style="list-style-type: none"> No power to unit Power switch in “OFF” position Blown Fuse Incorrect wiring 	<ul style="list-style-type: none"> Check main power to system Turn switch to “ON” position Replace fuse See “Installation Procedures – Electrical”
Circuit breaker trips	<ul style="list-style-type: none"> Incorrect wiring Circuit breaker amperage does not match draw Unit flooded with water 	<ul style="list-style-type: none"> See “Installation Procedures – Electrical” Replace with correct circuit breaker Asses damage, correct cause and rebuild as required
Receive an electric shock upon touching the unit	<ul style="list-style-type: none"> Incorrect wiring Unit not grounded Unit flooded with water 	<ul style="list-style-type: none"> See “Installation Procedures – Electrical” Ground unit according to local codes Asses damage, correct cause and rebuild as required
Drive Board Red Power LED does not illuminate.	<ul style="list-style-type: none"> No power to drive module from power supply Loose wires or connectors Blown drive module fuse Thermal protection opens input power circuit 	<ul style="list-style-type: none"> Check main power to unit Test voltage from power supply to drive module (see “Appendix E – Drive Module Input Voltages”) Check for loose wires or connectors Replace fuse Allow unit to cool down

Ozone Generator - Continued

Problem/Symptom	Possible Cause	Solution
Fan not operating	<ul style="list-style-type: none"> • Fan obstructed • Power supplies not operating • Fan inoperable 	<ul style="list-style-type: none"> • Remove obstruction • Check main power, check fuses, repair and replace as required • Replace fan
Low air flow or no air flow	<ul style="list-style-type: none"> • Air preparation system not operating properly • Air preparation system being powered from ozone unit • Fouled inline filter • Air leak • Incorrect wiring to air prep system 	<ul style="list-style-type: none"> • See “Start Up and Calibration – Step 5” • See “Ozone Generator Program Setup – Setup Screen 5” • Change inline filter • Check all fittings, tighten as needed • See “Installation Procedures – Electrical”
Unit flooded with water	<ul style="list-style-type: none"> • Defective check valve • Vacuum break incorrectly setup • Defective vacuum break 	<ul style="list-style-type: none"> • Replace check valve(s) • See “Installation Procedures – Pneumatic, Hook-Ups” • Replace vacuum break • Assess damage, repair as required
Ozone smell detected in or around ozone generator	<ul style="list-style-type: none"> • Insufficient vacuum at venturi • Loose internal fittings • Defective O-ring seals in reaction chamber(s) • Defective dielectrics 	<ul style="list-style-type: none"> • Adjust injector see “Start-Up and Calibration – Steps 1-4” • Check all fittings, tighten as needed • Check and replace as required • Check and replace as required

Ozone Injection/Contacting

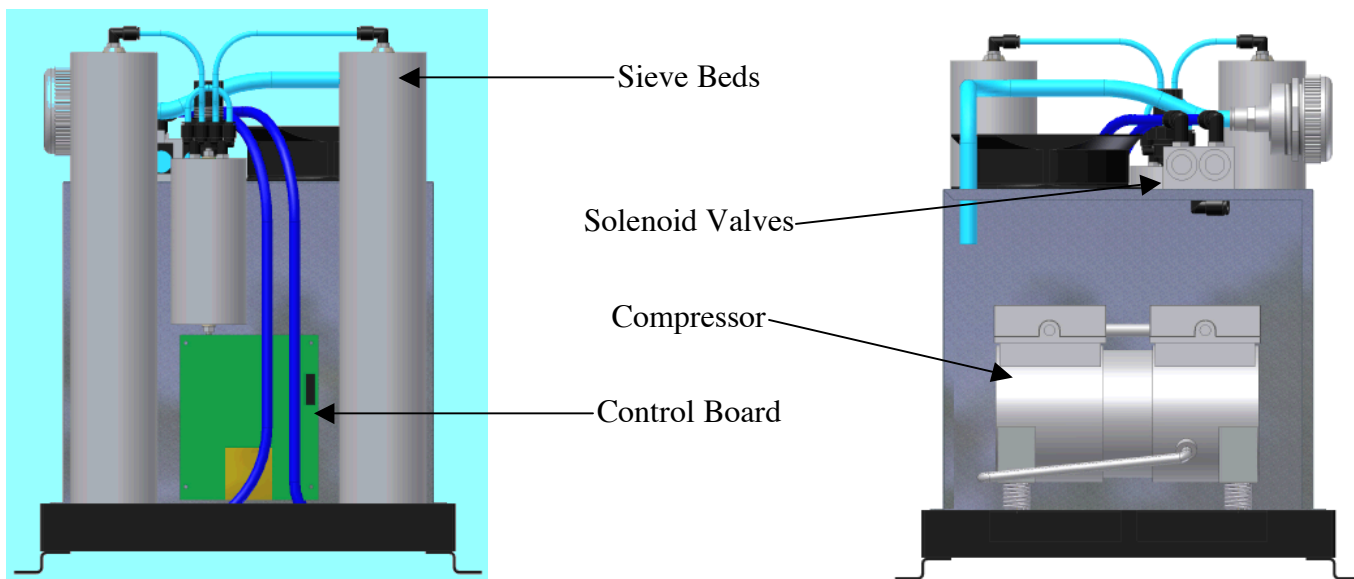
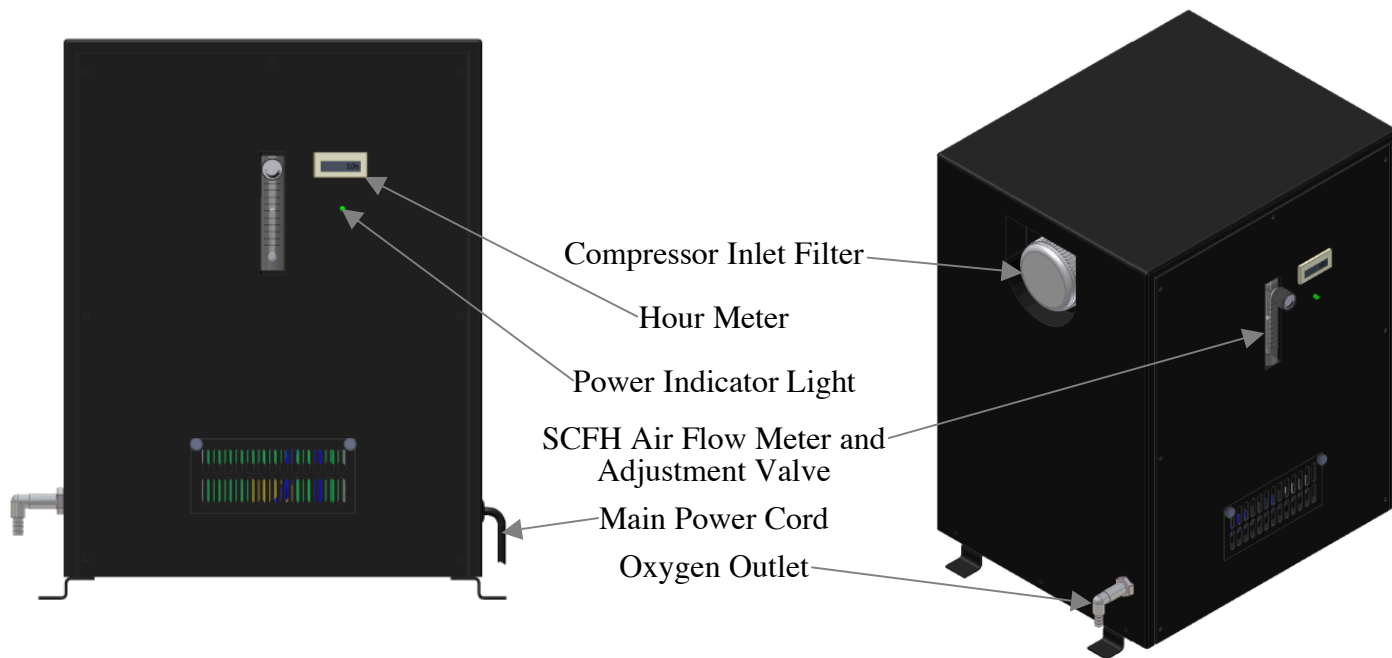
Problem/Symptom	Possible Cause	Solution
Air flowing through the Vacuum Relief	<ul style="list-style-type: none"> • Injector vacuum more than -10inHg • Vacuum Relief malfunctioning 	<ul style="list-style-type: none"> • Adjust ball valve in the Injector Manifold. See “Start-Up and Calibration – Steps 1-4” • Replace Vacuum Relief
Water backflow past injector check valve	<ul style="list-style-type: none"> • Defective check valve 	<ul style="list-style-type: none"> • Replace check valve
Water bubbling in vacuum break	<ul style="list-style-type: none"> • No vacuum • Debris on seat of vacuum break flapper valve 	<ul style="list-style-type: none"> • See “Start-Up and Calibration” • Clean seat of flapper. See “Maintenance Procedures – Annual”
Low Vacuum	<ul style="list-style-type: none"> • Hydraulics/Pneumatics out of adjustment • Defective check valve • Hydraulic back pressure • Defective solenoid valve • No water in vacuum break • Booster pump not functioning properly 	<ul style="list-style-type: none"> • See “Start-Up and Calibration – Steps 1-4” • Replace check valve • Back wash filter (if so equipped) • Check for obstruction in venturi • Rebuild or replace as required • Fill vacuum break with water. See “Start-Up and Calibration – Vacuum Break” • Check booster pump (contact dealer)

Ozone Injection/Contacting – Continued

Problem/Symptom	Possible Cause	Solution
High Vacuum	<ul style="list-style-type: none"> • Hydraulics/Pneumatics out of adjustment • Change in hydraulics – excessive water flow through ozone injector 	<ul style="list-style-type: none"> • See “Start-Up and Calibration – Steps 1-4” • See “Start-Up and Calibration – Steps 1-4”
Ozone smell detected in or around vacuum break or ozone injector	<ul style="list-style-type: none"> • No vacuum • Loose fittings • Broken fittings 	<ul style="list-style-type: none"> • Adjust injector see “Start-Up and Calibration – Steps 1-4” • Check all fittings, tighten as needed • Check and replace as required

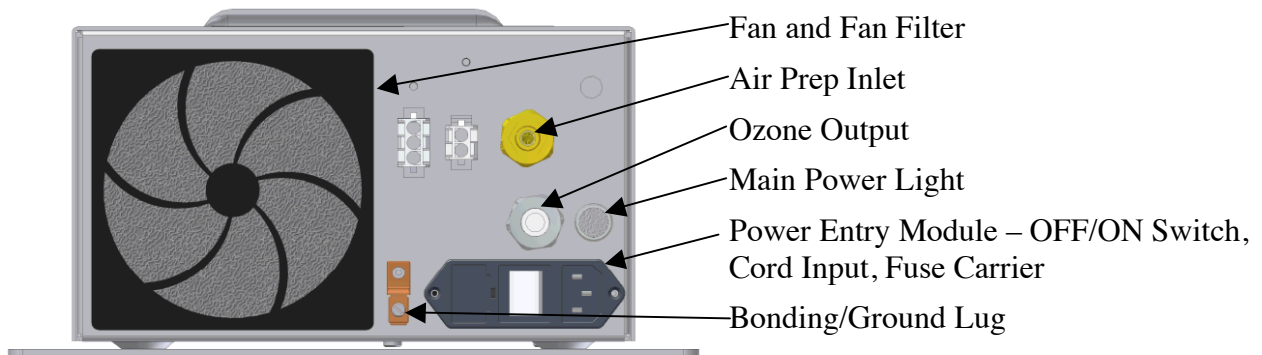
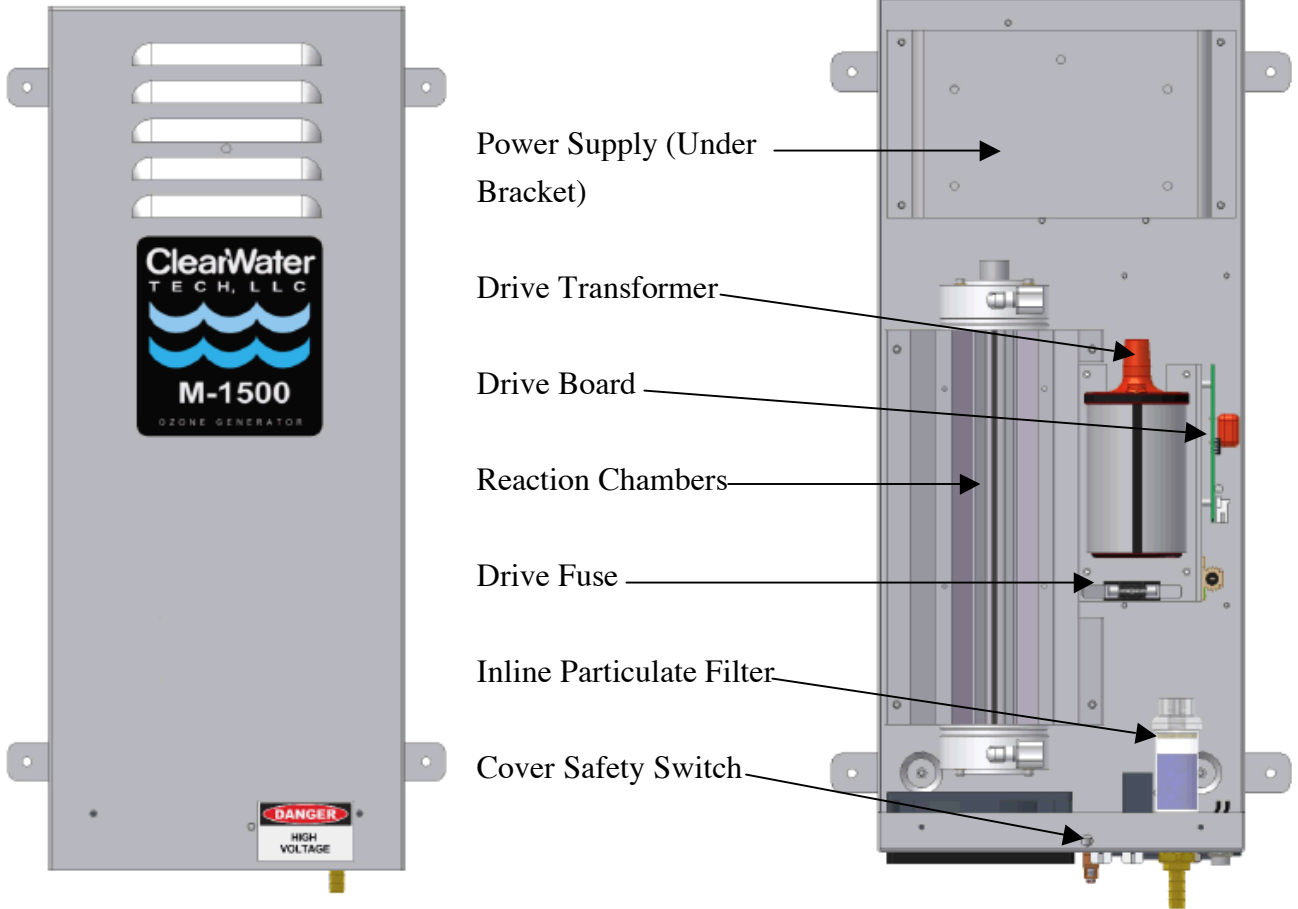
Appendix A – Specifications

Air Preparation System (Aerous 15 Shown)



Air Prep System	Specifications	Oxygen Output/SCFH
Aerous 8	19.75" H x 11.89" W x 13.75" D 68 lbs (with cover)	90% (+/-3%) @ 8 scfh, 10 PSI
Aerous 15	20.50" H x 12.64" W x 15.10" D 75 lbs (with cover)	90% (+/-3%) @ 15 scfh, 10 PSI

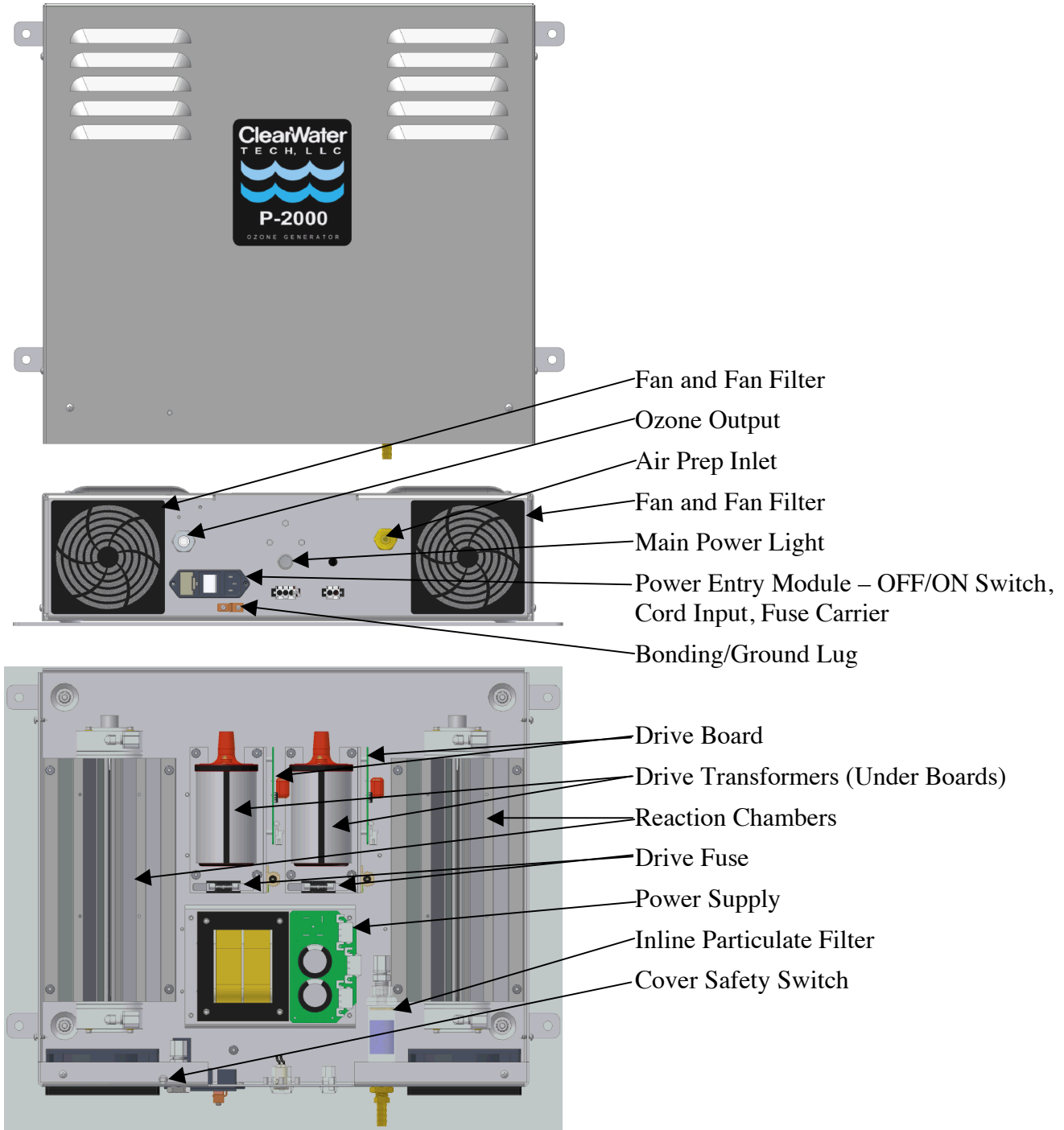
M1500 – Ozone Generator



Shown: ClearWater Tech M1500 Ozone Generator

OZONE GENERATOR	SPECIFICATIONS	OZONE OUTPUT/SCFH
M1500	27" h x 9.25" w x 5.5" d, 32 lbs	10g/h, 3% @ 7scfh PSA Oxygen
Mounting Hole Measurement	17.75" h x 10.50" w	

P2000 – Ozone Generator



Shown: ClearWater Tech P2000 Ozone Generator

OZONE GENERATOR	SPECIFICATIONS	OZONE OUTPUT/SCFH
P2000	23.7" h x 20.25" w x 5.5" d, 49 lbs	14g/h, 3% @ 14scfh PSA Oxygen
Mounting Hole Measurement	13.5" h x 21.75" w	

Appendix B – Parts List

Air Preparation System

Description	AEROUS 8 Part Number	AEROUS 15 Part Number
Control PCB 120 VAC 60Hz	OXU372	OXU377
Control PCB 220/240 VAC 50/60Hz	OXU386	OXU378
Solenoid Valve Assembly	OXU379	OXU379
Compressor 120VAC 60Hz	OXU373	OXU340
Compressor 220/240 VAC 50/60Hz	OXU374	OXU345
Encloser Filter	OXU350	OXU351
Inlet Filter Package	OXU371	OXU371
Maintenance Kit	ASP70A	ASP75A
Rebuild Kit	ASP71A	ASP76A

Ozone Generator – M1500 and P2000

Description	Part Number
Reaction Chamber – Complete M1500	RCC8
Reaction Chamber – Complete P2000	RCC7
Dielectric Anode 2"	RCC71
Non High Voltage End Cap	RCC107
High Voltage End Cap	RCC102
O-ring Set	ORS30
Drive Module Transformer	DRM10
Drive Module Board	ELPC5100
Power Supply	PS155
Cooling Fan – 120VAC	FA41
Cooling Fan – 240VAC	FA42
Cooling Fan Filter	FA40
Inline Particulate Filter	FLT34
Fuse, Bussmann – 5 amp, 250VAC Slow Blow, Main Power	FUS20

Appendix C – Maintenance Kit

Air Preparation System

ASP70A – Maintenance Kit – AEROUS 8		
Part Number	Quantity	Description
OXS371	1	Oxygen Concentrator – Replacement Compressor Inlet Filter
OXS350	1	Oxygen Concentrator – Replacement Enclosure Filter

ASP71A – Rebuild Kit – AEROUS 8		
Part Number	Quantity	Description
OXS379	1	Oxygen Concentrator – Solenoid Valve Assembly
OXS375	2	Oxygen Concentrator – Sieve Bed

ASP75A – Maintenance Kit – AEROUS 15		
Part Number	Quantity	Description
OXS371	1	Oxygen Concentrator – Replacement Compressor Inlet Filter
OXS351	2	Oxygen Concentrator – Replacement Enclosure Filter

ASP71A – Rebuild Kit – AEROUS 15		
Part Number	Quantity	Description
OXS379	1	Oxygen Concentrator – Solenoid Valve Assembly
OXS381	2	Oxygen Concentrator – Sieve Bed

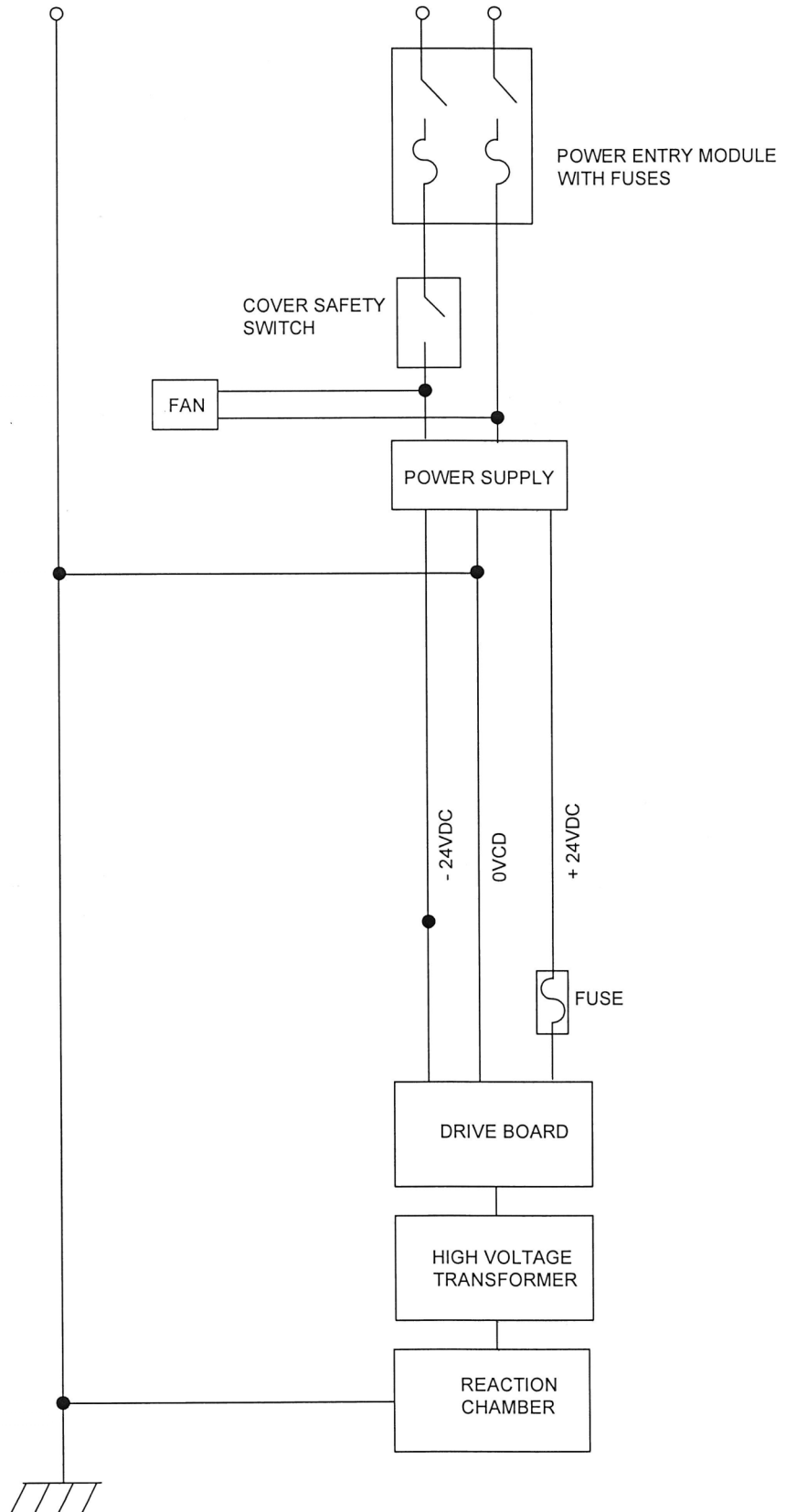
Ozone Generator

ASP125C – Maintenance Kit – M1500 Ozone Generator		
Part Number	Quantity	Description
CKV21	1	Check Valve
FA40	1	4in Fan Filter
FLT34	1	Filter – Inline particulate filter
FUS20	5	Fuse – Bussmann – 5 amp, 250VAC Slow Blow, Main Power
ORG10	2	O-ring – 2” CD reaction chamber, small
ORG110	4	O-ring – 2” CD reaction chamber, large

ASP128F – Maintenance Kit – P2000 Ozone Generator		
Part Number	Quantity	Description
CKV22	1	Check Valve
FA40	2	4in Fan Filter
FLT34	1	Filter – Inline particulate filter
FUS20	5	Fuse – Bussmann – 5 amp, 250VAC Slow Blow, Main Power
ORG10	4	O-ring – 2” CD reaction chamber, small
ORG110	8	O-ring – 2” CD reaction chamber, large

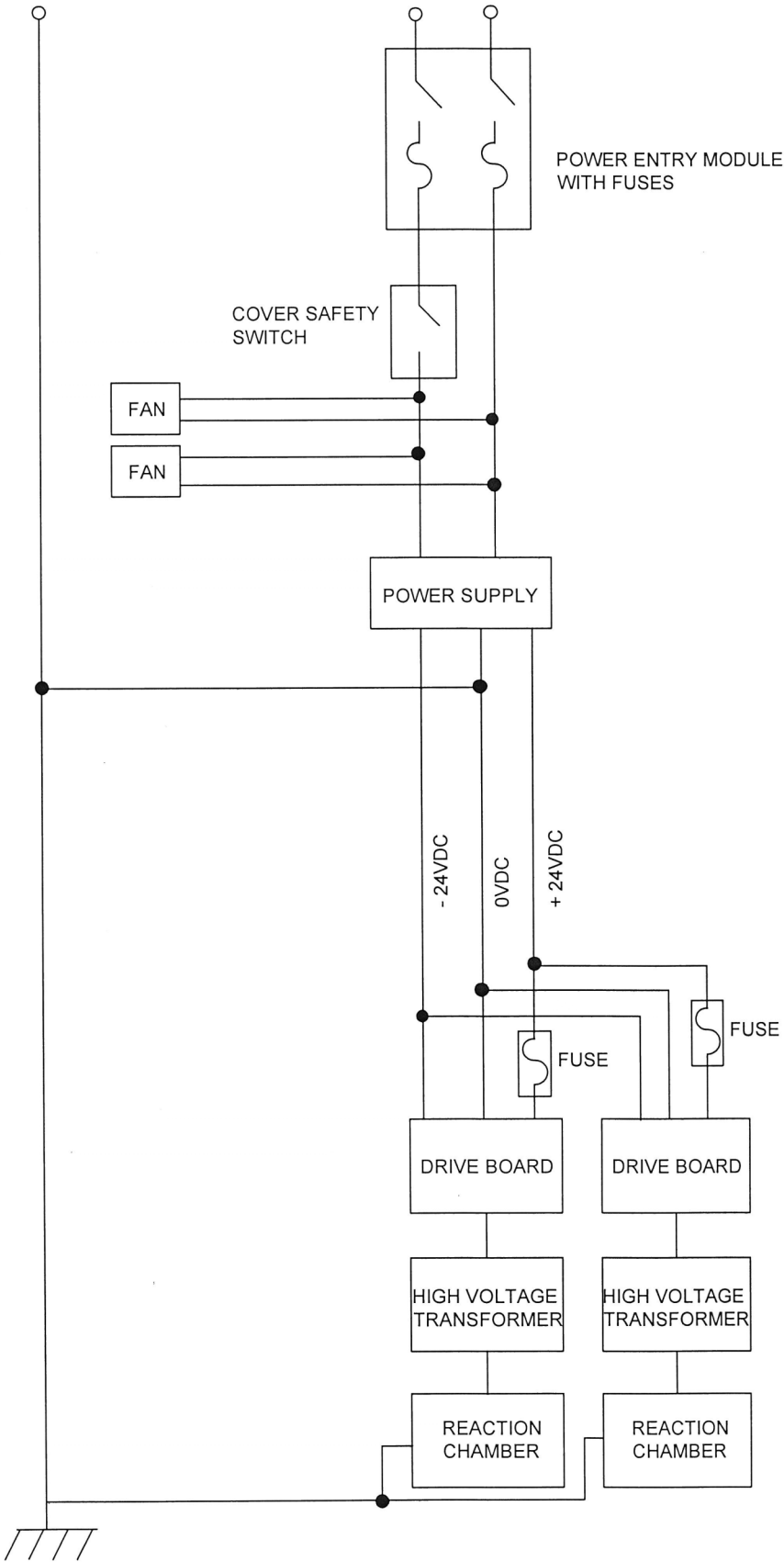
Appendix D – Logic Schematics

M1500



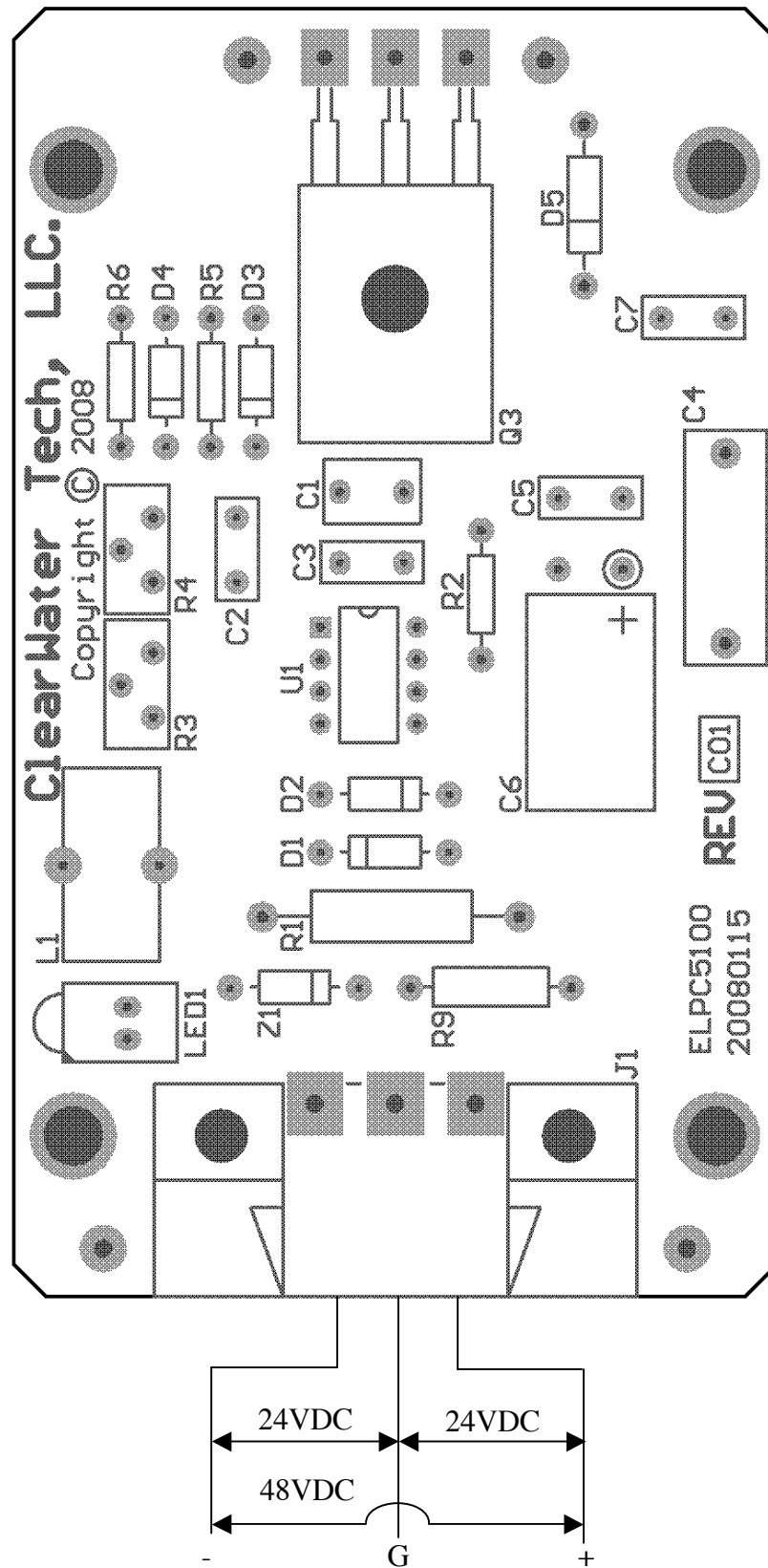
SHOWN: ELECTRICAL SCHEMATIC - M1500

P2000



SHOWN: ELECTRICAL SCHEMATIC - P2000

Appendix E – Drive Module Input Voltages



Appendix F – Warranty Information

ClearWater Tech, LLC. Limited One-Year Warranty

Summary of the Warranty

ClearWater Tech, LLC (“CWT”) makes every effort to assure that its products meet high quality and durability standards and warrants the products it manufactures against defects in materials and workmanship for a period of one (1) year, commencing on the date of original shipment from CWT, with the following exceptions: 1) The warranty period shall begin on the installation date if the installation is performed within 90 days of the original shipment from CWT; 2) The warranty period shall begin on the date of the bill of sale to the end user if the installation date is more 90 days after the original shipment date. To validate the warranty, a warranty card, accompanied by a copy of the bill of sale, must be returned to CWT and must include the following information:

- End user name
- Complete address, including telephone number
- Date installed
- Complete model and serial number information
- Name of company from which the unit was purchased

Repairs and replacement parts provided under this warranty shall carry only the unexpired portion of this warranty or 90 days, whichever is longer.

Items Excluded from the Warranty

This warranty does not extend to any product and/or part from which the factory assigned serial number has been removed or which has been damaged or rendered defective as a result of:

- An accident, misuse, alteration or abuse
- An act of God such as flood, earthquake, hurricane, lightning or other disaster resulting only from the forces of nature
- Normal wear and tear
- Operation outside the usage parameters stated in the product user’s manual
- Use of parts not sold by CWT
- Service or unit modification not authorized by CWT
- Check valve/solenoid valve failure
- Damage which may occur during shipping
- Failure to meet service requirements as outlined in the I & O manual

Obtaining Service Under the Warranty

Any product and/or part not performing satisfactorily may be returned to CWT for evaluation. A Return Goods Authorization (RGA) number must first be obtained by either calling or writing your local authorized dealer, distributor or CWT direct, prior to shipping the product. The problem experienced with the product and/or part must be clearly described. The RGA number must appear prominently on the exterior of the shipped box(es). The product and/or part must be packaged either in its original packing material or in comparable and suitable packing material, if the original is not available. You are responsible for paying shipping charges to CWT and for any damages to the product and/or part that may occur during shipment. It is recommended that you insure the shipment for the amount you originally paid for the product and/or part.

If, after the product and/or part is returned prepaid and evaluated by CWT, it proves to be defective while under warranty, CWT will, at its election, either repair or replace the defective product and/or part and will return ship at lowest cost transportation prepaid to you except for shipments going outside the 50 states of the United States of America. If upon inspection, it is determined that there is no defect or that the damage to the product and/or part resulted from causes not within the scope of this limited warranty, then you must bear the cost of repair or replacement of damaged product and/or part and all return freight charges. Any unauthorized attempt by the end user to repair CWT manufactured products without prior permission shall void any and all warranties. For service, contact your authorized dealer or distributor or CWT direct at (805) 549-9724.

Exclusive Warranty

There is no other expressed warranty on CWT products and/or parts. Neither this warranty, nor any other warranty, expressed or implied, including any implied warranties or merchantability of fitness, shall extend beyond the warranty period. Some states do not allow limitation on how long an implied warranty lasts, so that the above limitation or exclusion may not apply to you.

Disclaimer of Incidental and Consequential Damages

No responsibility is assumed for any incidental or consequential damages; this includes any damage to another product or products resulting from such a defect. Some states do not allow the exclusion or limitation of incidental or consequential damages, so that above limitation or exclusion may not apply to you.

Legal Remedies of Purchaser

This warranty gives you specific legal rights and you may also have other rights, which vary from state to state.

THIS STATEMENT OF WARRANTY SUPERSEDES ALL OTHERS PROVIDED TO YOU AT ANY PRIOR TIME.